

AP112、AP115/AP118SP

COMPACT、LIGHTWEIGHT、
HIGH OUTPUT、EASY TO USE

ADVANCED ACTIVE LOUDSPEAKER



PRECISION DRIVE

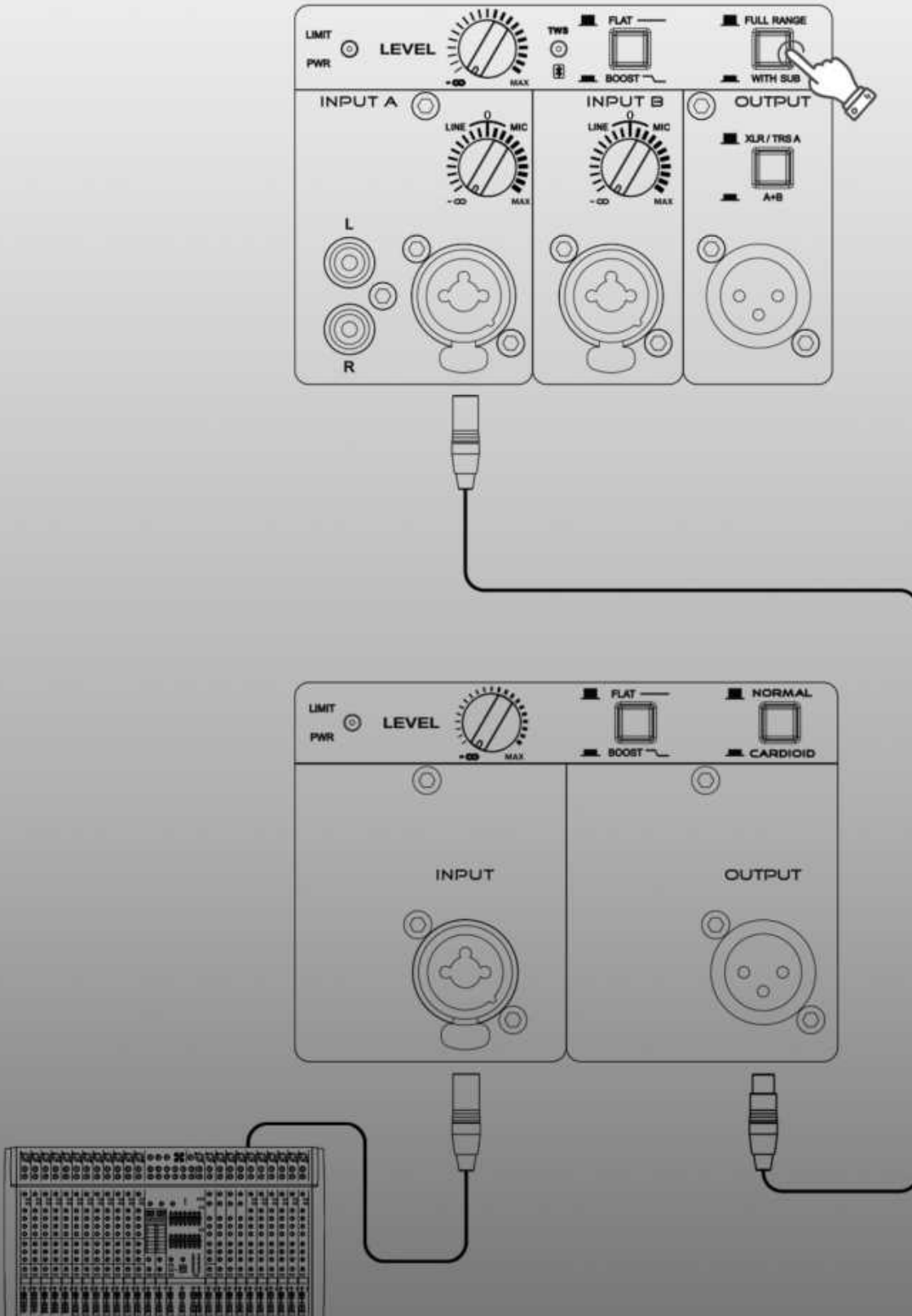
DSP ON-BOARD FOR SIMPLE OPERATION

AP112、AP115/AP118SP CAN WORK TOGETHER BY SIMPLE OPERATION ACHIEVE LOUDER AND MUCH WIDER FREQUENCY RANGE FOR DYNAMIC MUSIC PERFORMANCE



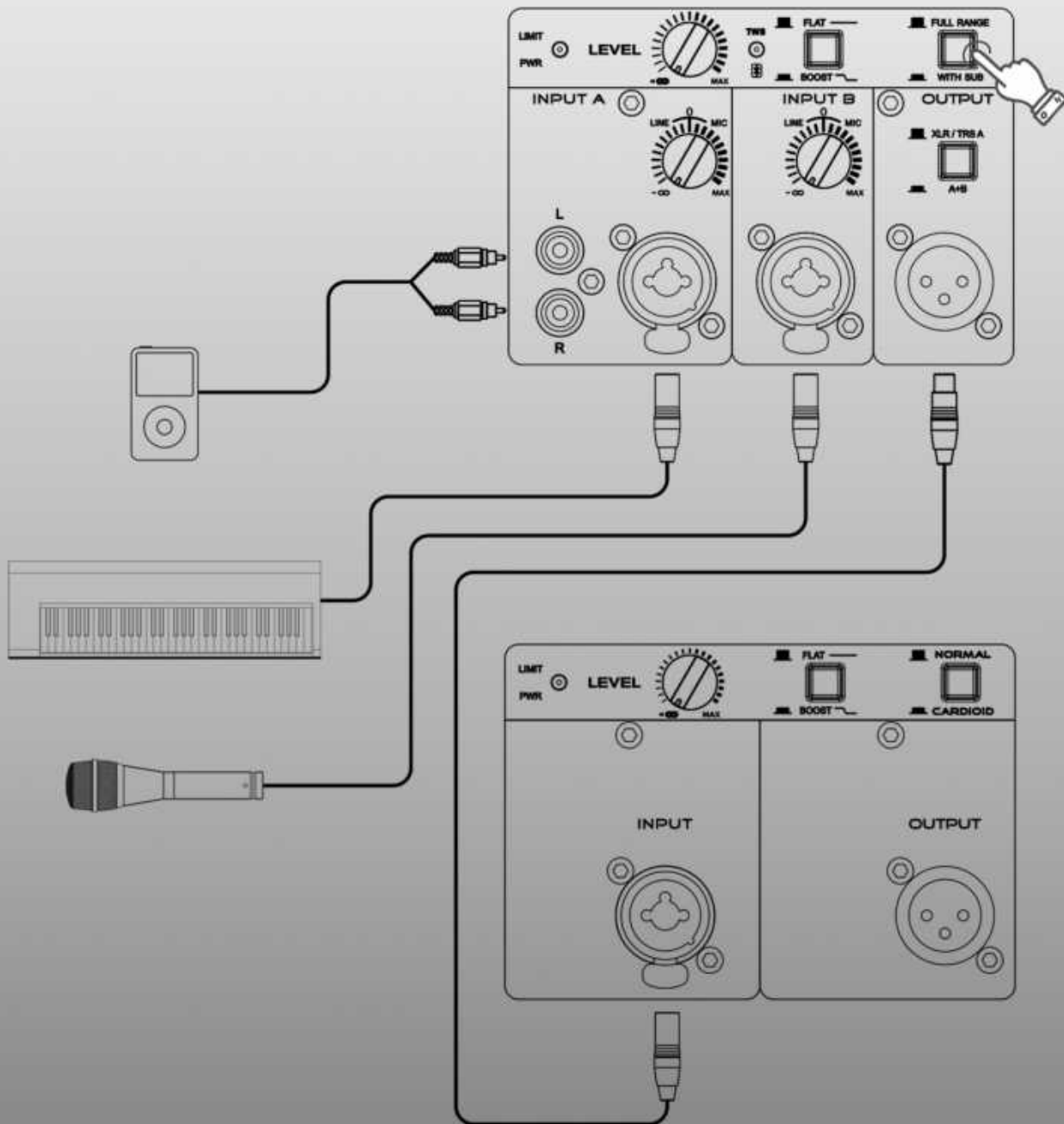
PRECISION DRIVE

ONE BUTTON OPERATION FOR CROSSOVER WITH SUBWOOFER



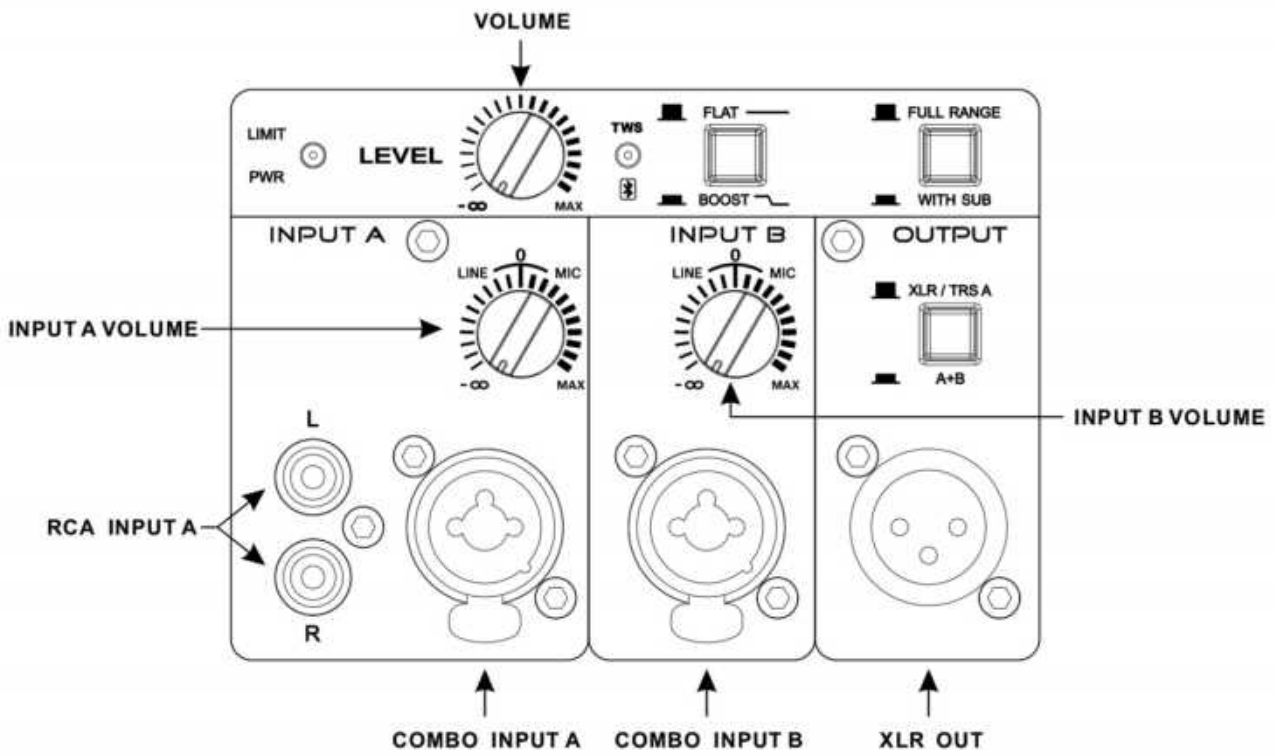
PRECISION DRIVE

ONE BUTTON OPERATION FOR CROSSOVER WITH SUBWOOFER

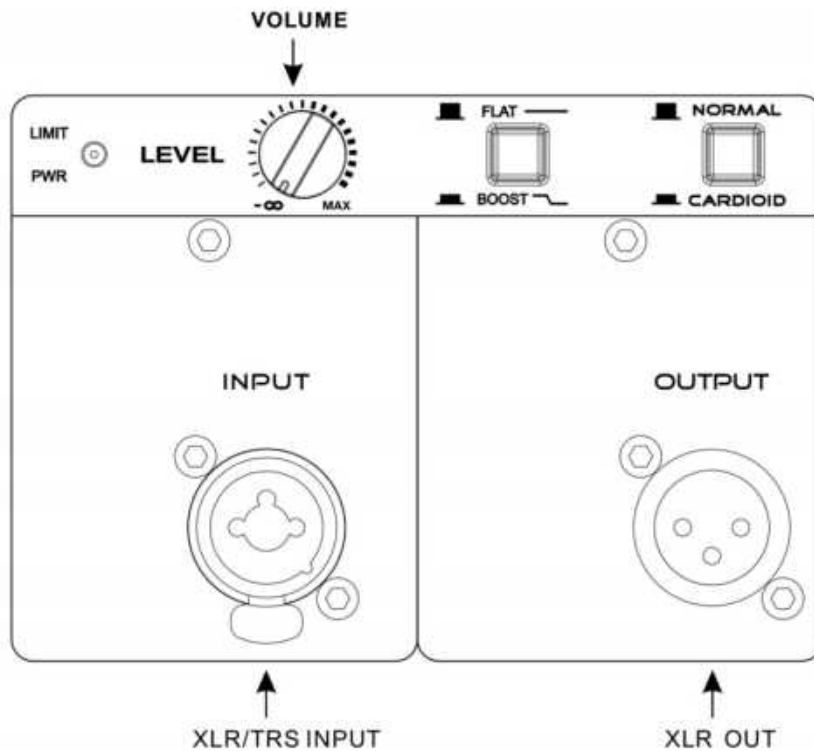


PRECISION DRIVE

AP112/AP115



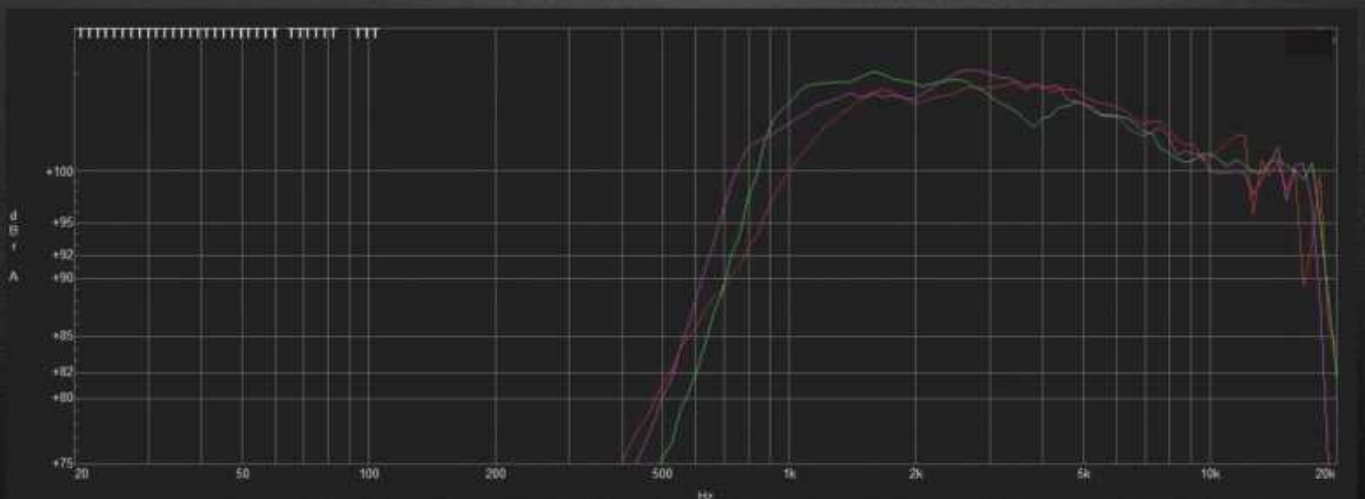
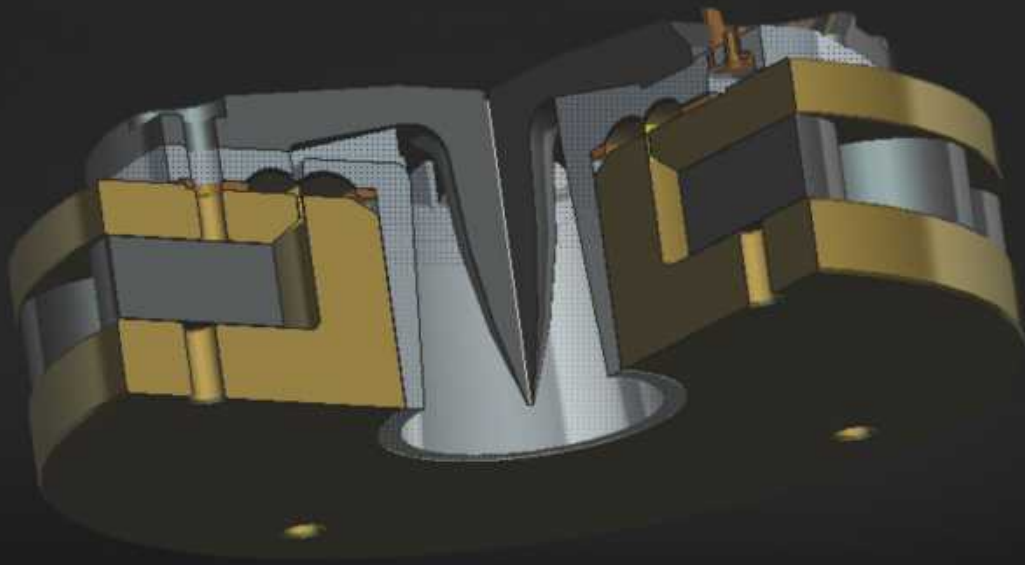
AP118SP



PRECISION DRIVE

AP112、AP115 / AP118SP

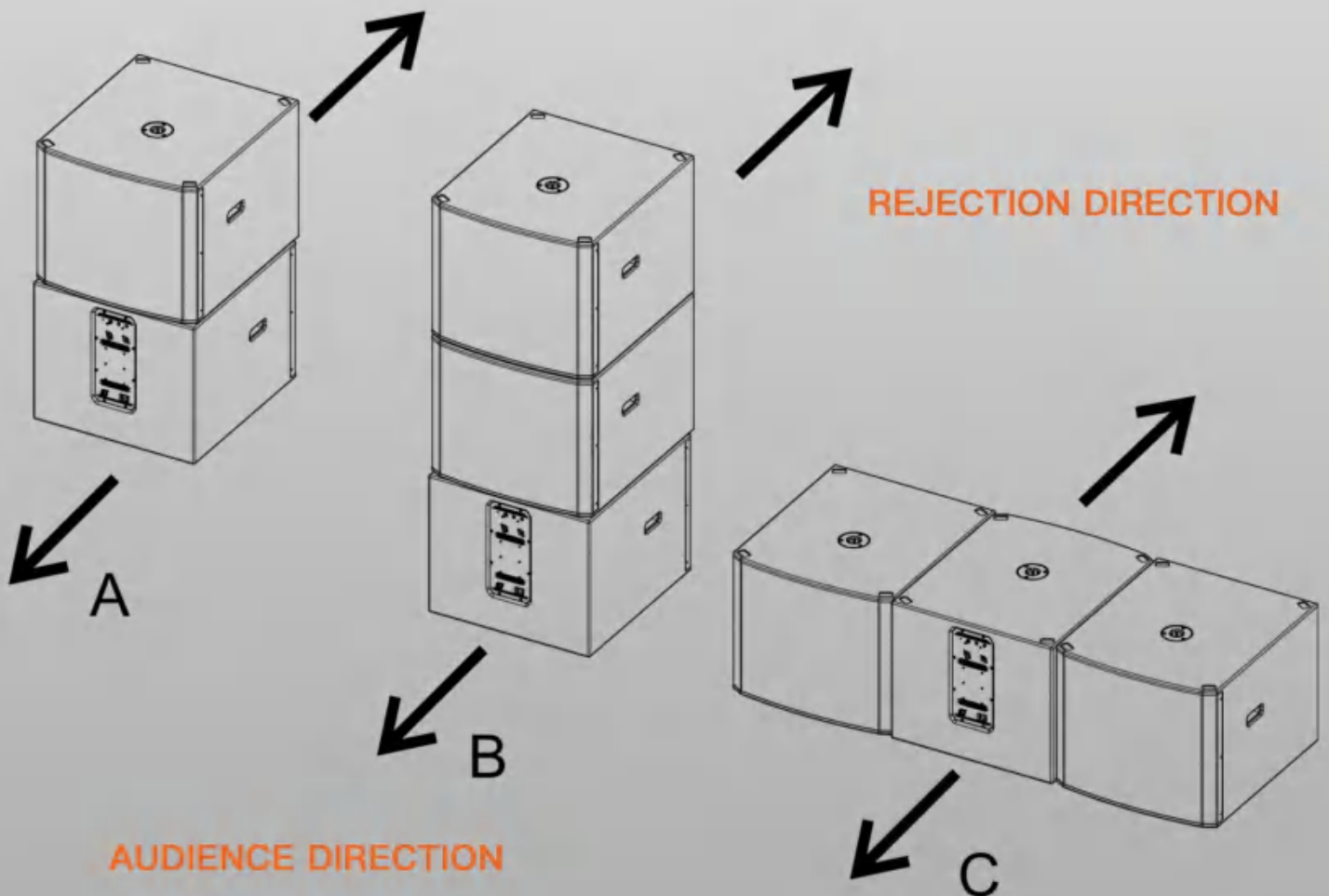
HIGH POWER COMPRESSION
DRIVER, PROVIDE CRYSTAL
CLEAR HIGH FREQUENCY WITH
EXTREMELY LOW DISTORTION



PRECISION DRIVE

CARDIOID CONTROL TECHNOLOGY

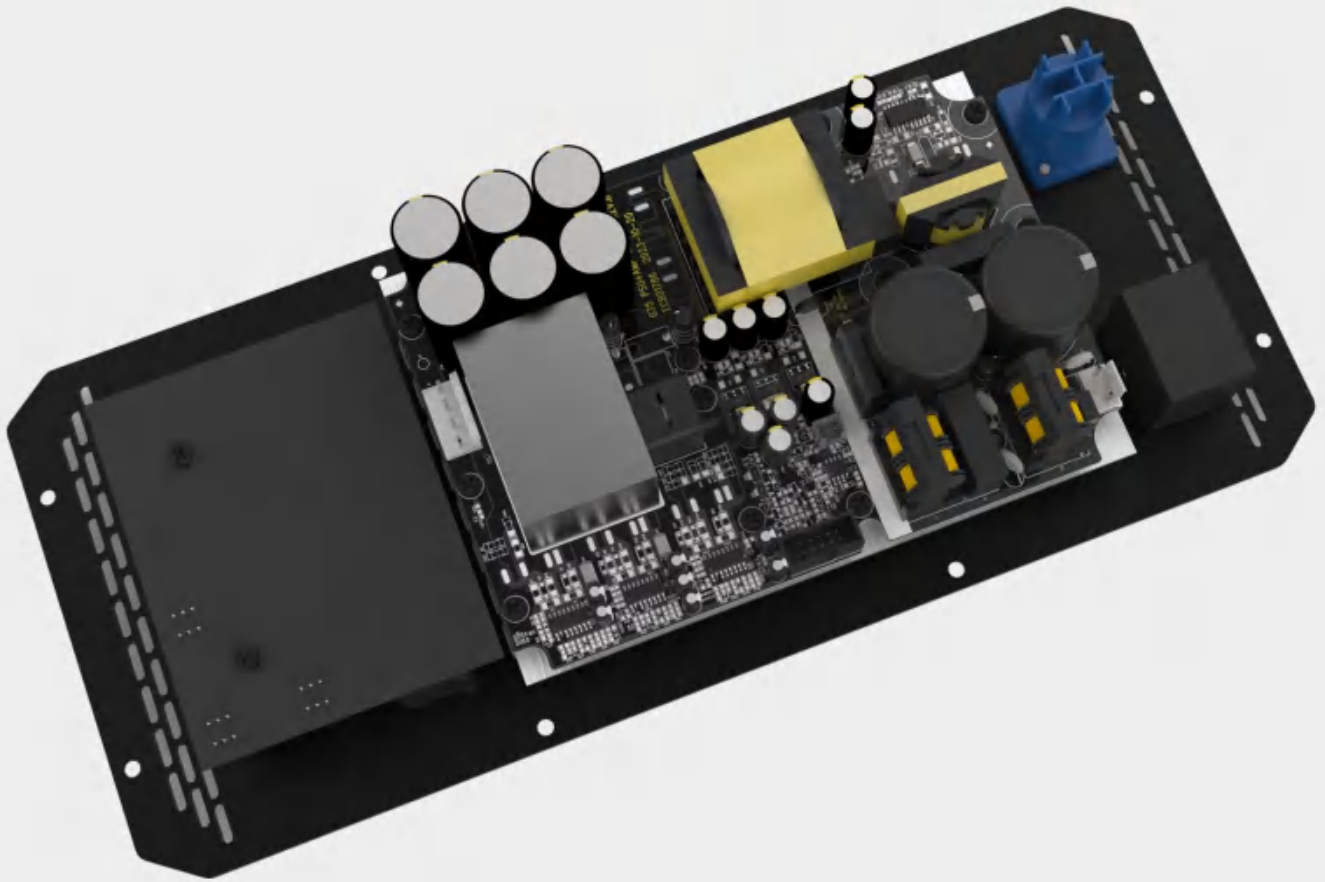
THE AP SERIES SUBWOOFERS HAVE CARDIOID ARRAY PROCESSING ORIGINALLY DEVELOPED FOR CONCERT SUBWOOFER SYSTEMS. CARDIOID SUBWOOFER ARRAYS CAN BE USED TO DIRECT THE OUTPUT OF AN ARRAY OF SUBWOOFERS IN ORDER TO LIMIT EXCESSIVE AMOUNTS OF BASS IN UNDESIRED AREAS. THESE ARRAYS CAN BE USED TO KEEP BASS OFF OF A STAGE, PROVIDE MORE CONSISTENT BASS COVERAGE IN THE AUDIENCE, AND REDUCES BASS IN THE SURROUNDING AREA. MULTIPLE AP SERIES SUBS CAN BE ARRAYED TO CREATE A CARDIOID POLAR PATTERN. SEE CARDIOID PATTERN TOP VIEW. THE CARDIOID SETTING IN THE DSP IS OPTIMIZED TO PRODUCE A REAR REJECTION OF UP TO 35 DB WITHOUT ANY ADDITIONAL PROCESSING. FOR BEST PERFORMANCE, ADHERE TO THE FOLLOWING GUIDELINES:



PRECISION DRIVE

HIGH EFFICIENT CLASS D AMP

ALL NEWLY DESIGNED 1800 WATTS PEAK POWER AMP MODULE NOT ONLY LIGHTWEIGHT AND POWERFUL BUT ALSO ABLE TO WORK FROM -10°C TO 50°C WITHOUT ANY PROBLEM



BLUETOOTH®

BLUETOOTH 5.0 FOR MORE CONVENIENT CONNECTION .

DSP

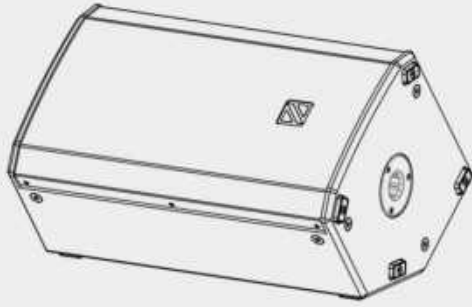
1MS LATENCY, 24 BIT 96KHZ DSP PROCESSOR FOR LIMITER & AMP/TRANSDUCER PROTECTION .

FULL RANGE / WITH SUB

SIMPLE ONE-BUTTON-OPERATION TO WORK WITH AP SERIES SUB, TO ACHIEVE EXTENDED LOW END AND HIGHER SPL .

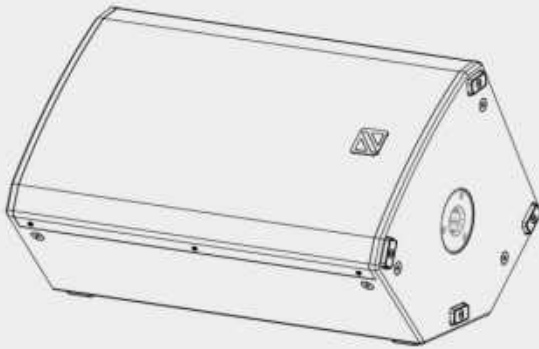


PRECISION DRIVE



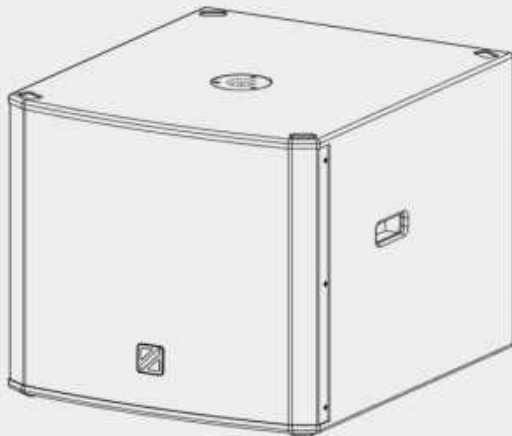
AP112

FREQ. RANGE	50Hz-20KHz
MAX SPL	133dB
LF DESIGN	12" VENTED
HF DESIGN	36mm HORN LOADED
POWER	1800W PEAK
CROSSOVER	4th / 1.8KHz, DSP



AP115

FREQ. RANGE	46Hz-20KHz
MAX SPL	135dB
LF DESIGN	15" VENTED
HF DESIGN	36mm HORN LOADED
POWER	1800W PEAK
CROSSOVER	4th / 1.8KHz, DSP

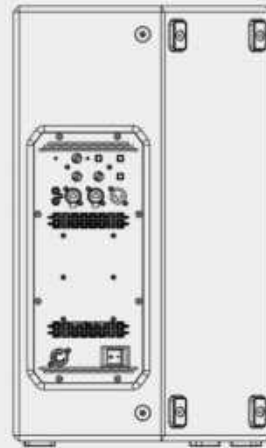
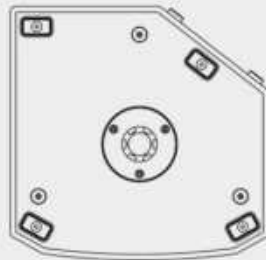
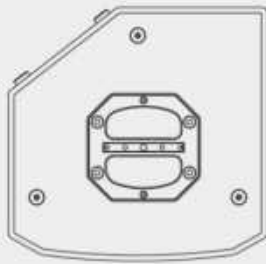
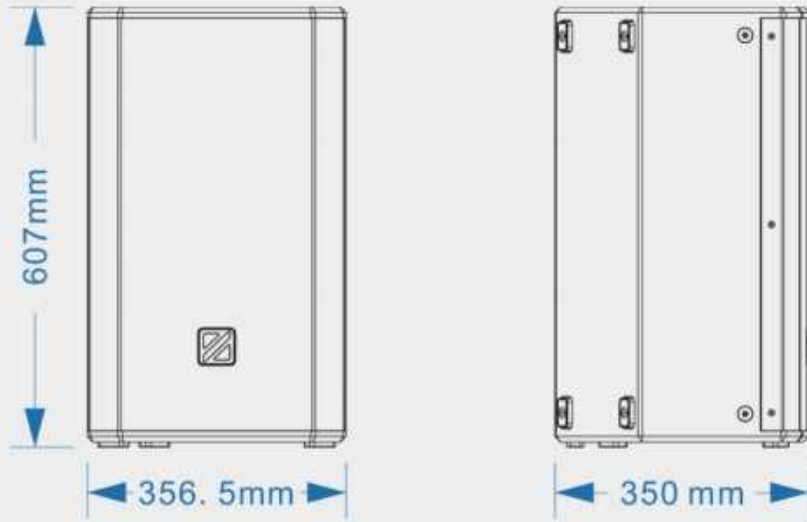


AP118SP

FREQ. RANGE	38Hz-100Hz
MAX SPL	135dB
LF DESIGN	18" VENTED
HF DESIGN	NA
POWER	1500W PEAK
CROSSOVER	4th / 100Hz, DSP



PHYSICAL DIMENSION-AP112



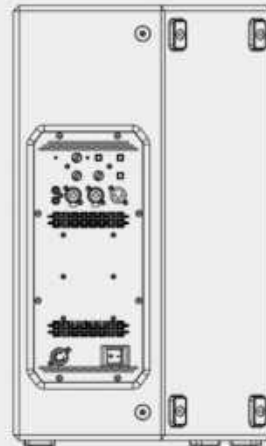
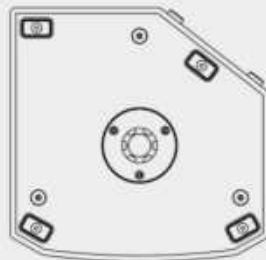
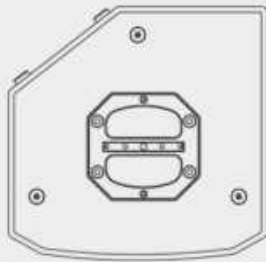
NET WEIGHT: 14.7kg

GROSS WEIGHT: 16.4kg



PRECISION DRIVE

PHYSICAL DIMENSION-AP115



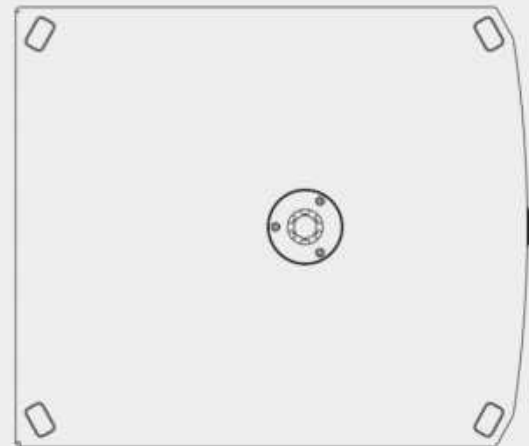
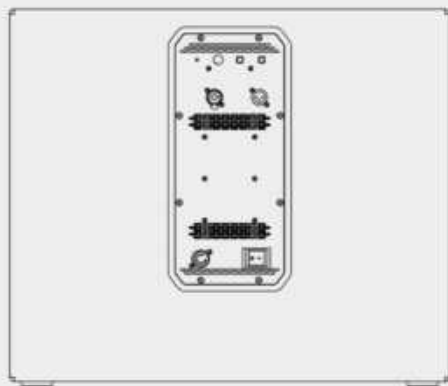
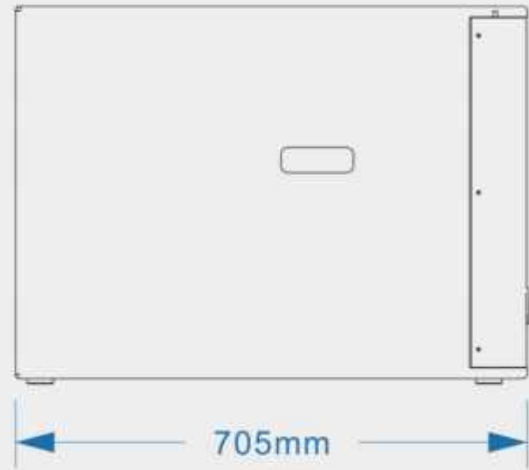
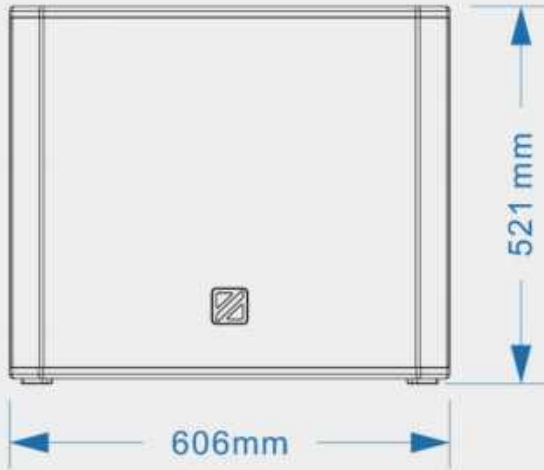
NET WEIGHT: 16.5kg

GROSS WEIGHT: 19.2kg



PRECISION DRIVE

PHYSICAL DIMENSION-AP118SP



NET WEIGHT: 24.5kg

GROSS WEIGHT: 29.5kg



PRECISION DRIVE